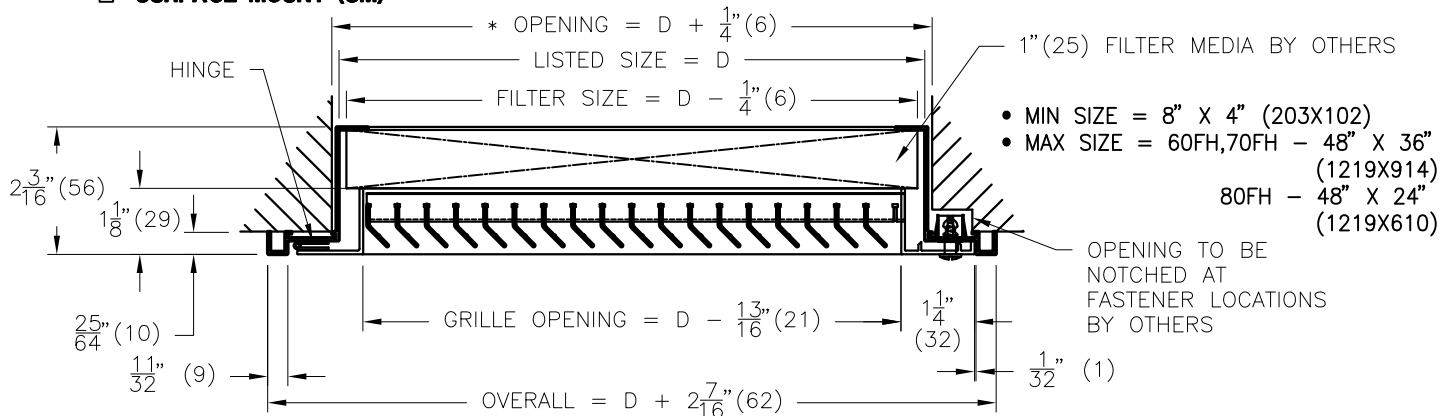


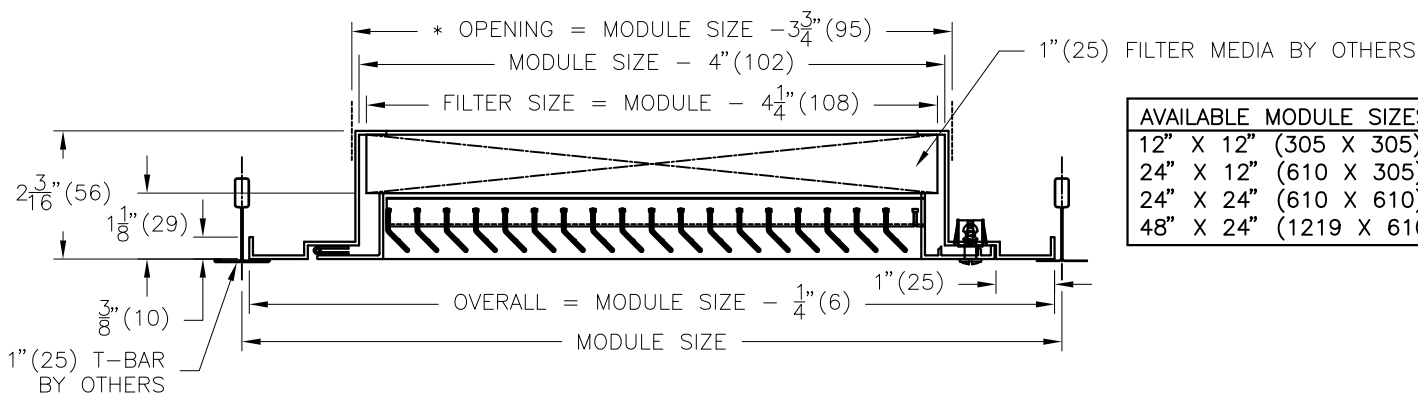
60FH, 70FH, 80FH ALUMINUM FACE FILTER RETURN

□ SURFACE MOUNT (SM)



- MIN SIZE = 8" X 4" (203X102)
- MAX SIZE = 60FH,70FH - 48" X 36" (1219X914)
- 80FH - 48" X 24" (1219X610)

□ T-BAR MOUNT (TB)

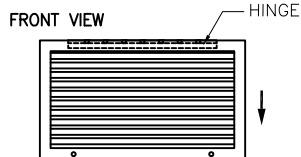


AVAILABLE MODULE SIZES:	
12" X 12"	(305 X 305)
24" X 12"	(610 X 305)
24" X 24"	(610 X 610)
48" X 24"	(1219 X 610)

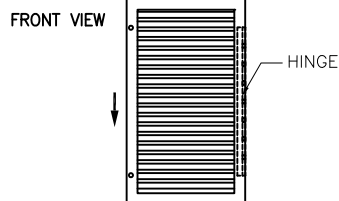
HINGE ORIENTATION

- 80FH - HINGE IS PARALLEL TO LONG DIMENSION (HL)
- 60FH AND 70FH - BLADE DEFLECTION IS SHOWN BY ARROW

□ 60FH/70FH TYPE L

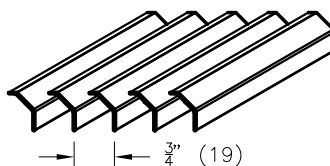


□ 60FH/70FH TYPE S

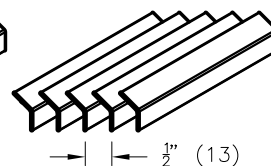


CORE STYLES:

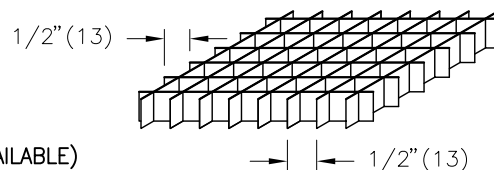
□ 60FH



□ 70FH



□ 80FH



NOTES:

- ACCEPTS STANDARD 1" (25) FILTER MEDIA
- 1/4 TURN QUICK-RELEASE FASTENERS
- CONTINUOUS ALUMINUM HINGE SUPPLIED ON UNITS UP TO 36" X 24" (914X610) DUCT SIZE.
- SIZES LARGER THAN 36" X 24" (914X610) DUCT SIZE WILL BE SUPPLIED WITH QUICK-RELEASE FASTENERS ON BOTH SIDES.
- FILTER MEDIA SUPPLIED BY OTHERS


FINISH:

- B12 WHITE (OPTIONAL FINISHES AVAILABLE)

MATERIAL:

- ALUMINUM CONSTRUCTION

ALL METRIC DIMENSIONS () ARE SOFT CONVERTED. IMPERIAL DIMENSIONS ARE CONVERTED TO METRIC AND ROUNDED TO THE NEAREST MILLIMETER.

PROJECT:		 <p>60FH, 70FH, 80FH SERIES ALUMINUM FACE FILTER RETURN</p>
ENGINEER:		
CUSTOMER:		
SUBMITTAL DATE:	SPEC. SYMBOL:	